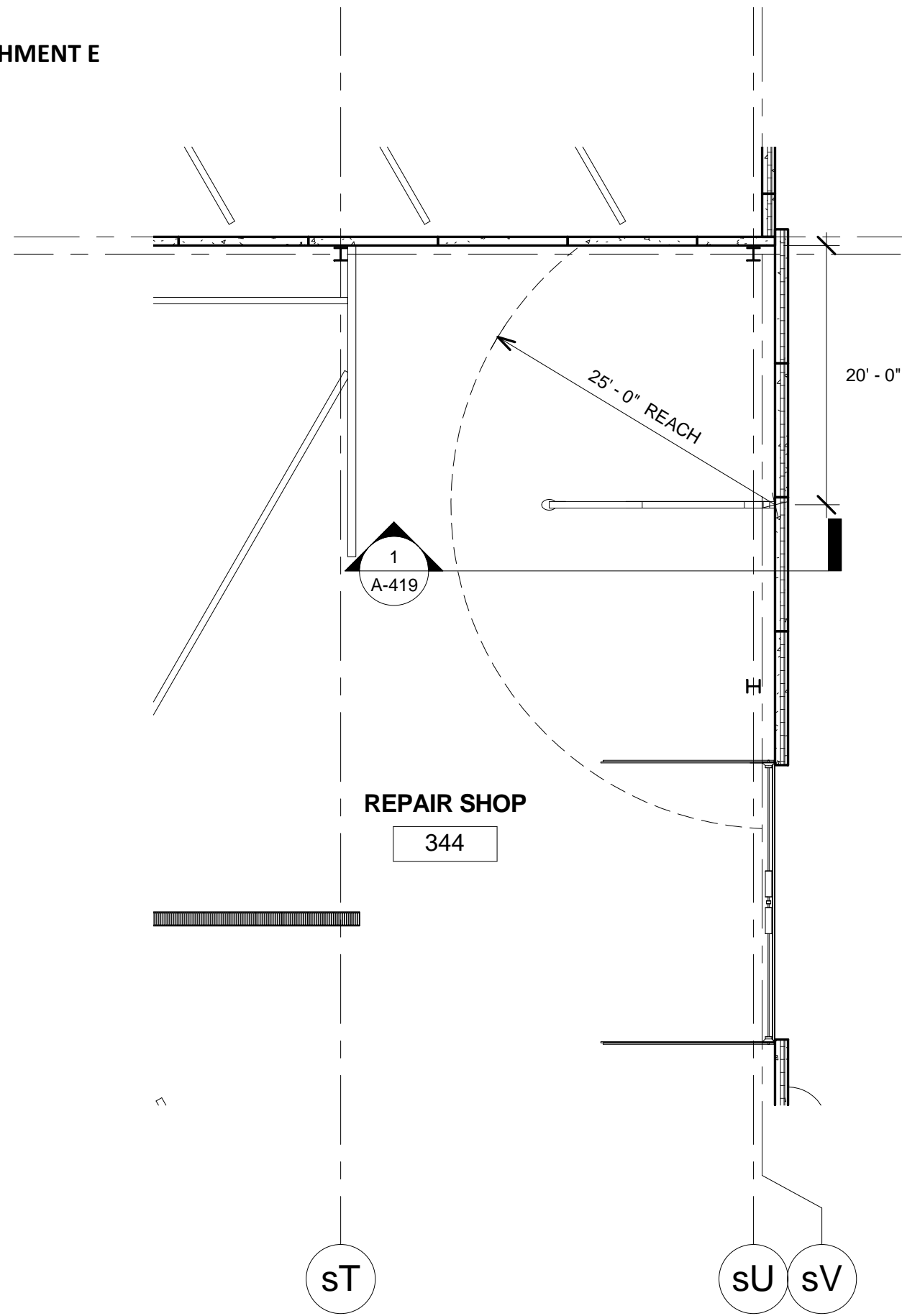
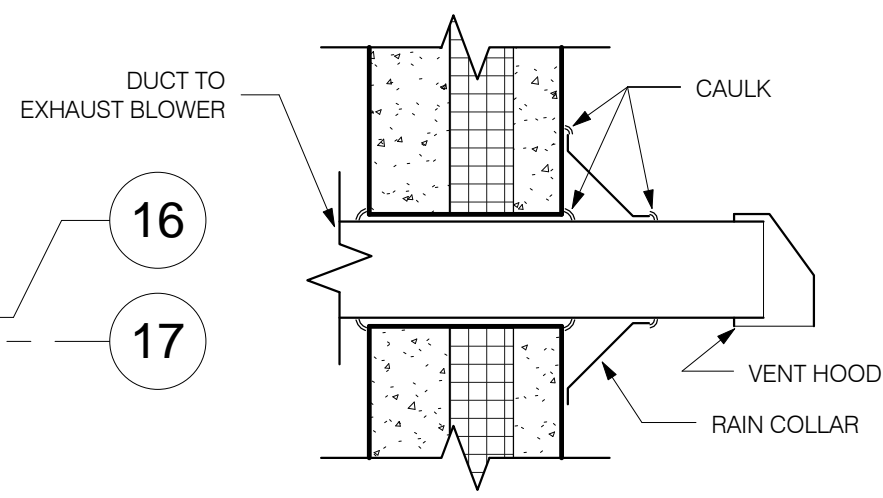


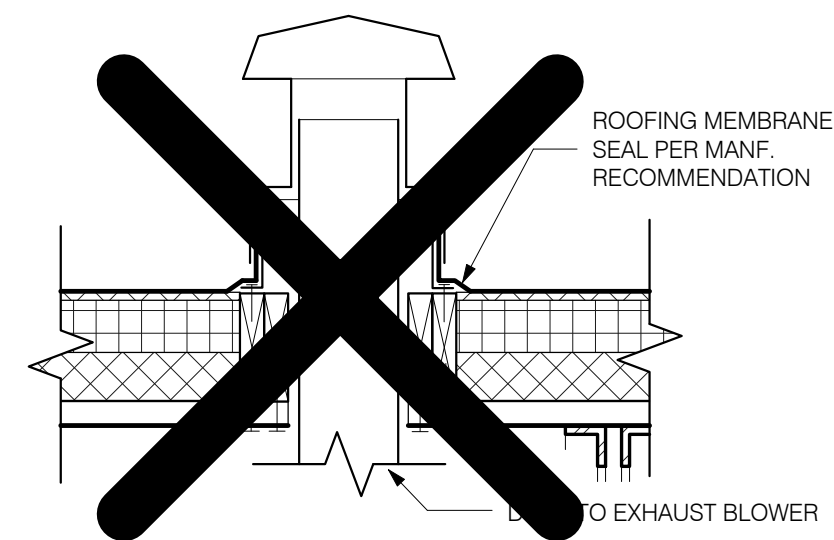
ATTACHMENT E



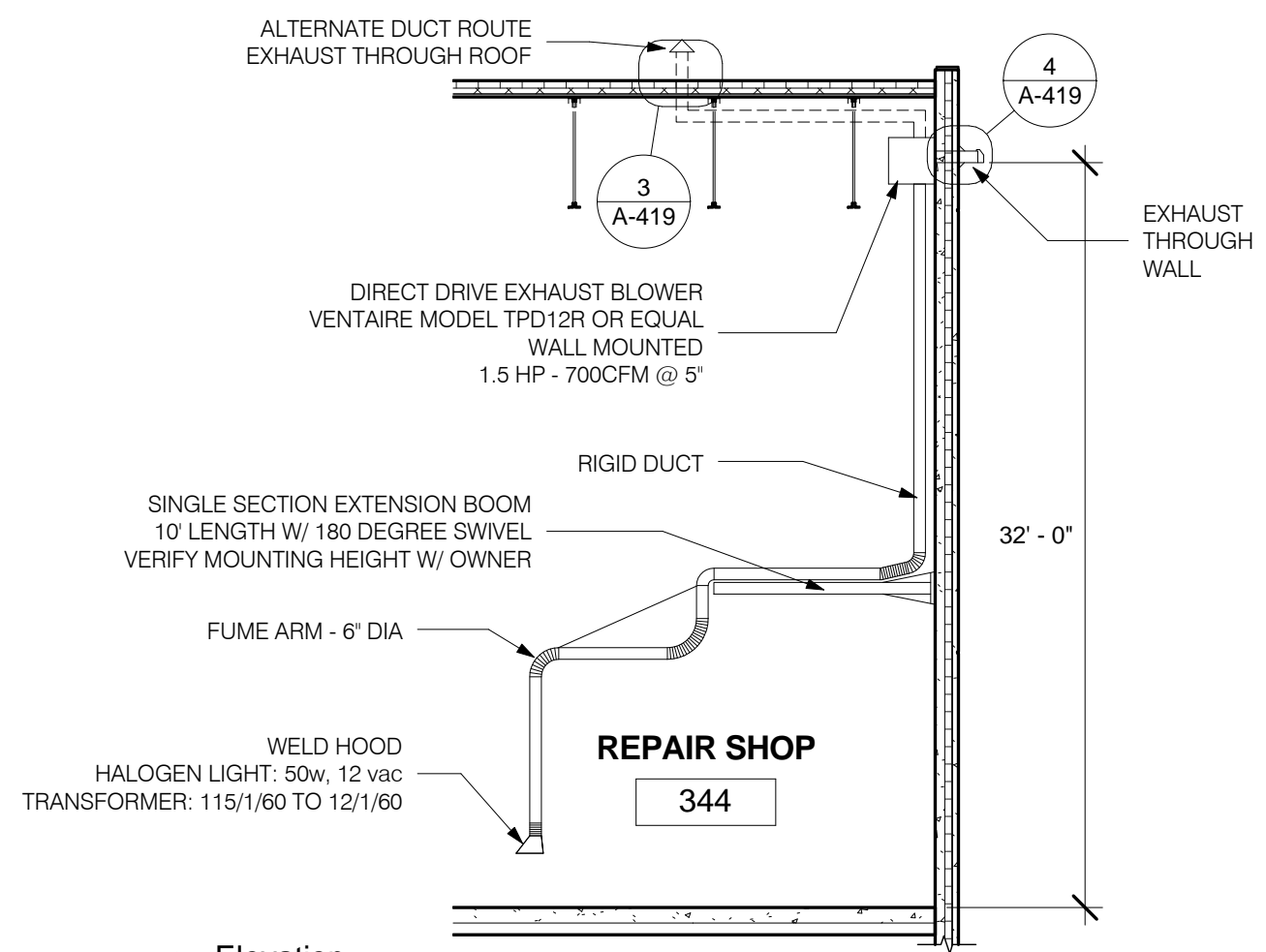
2 Plan View
3/32" = 1'-0"



4 Exhaust Vent - Wall Penetration
1" = 1'-0"



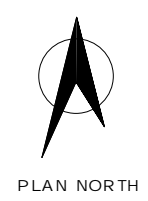
3 Exhaust Vent - Roof Penetration
1" = 1'-0"



1 Elevation
1/8" = 1'-0"

Weld Exhaust Vent

kuenyarch.com ©2016 Kueny Architects L.L.C. - All Rights Reserved
Cedar Rapids - Cedar Rapids Public Works
Cedar Rapids, Iowa
August 11, 2016



SCALE: As indicated

A-419